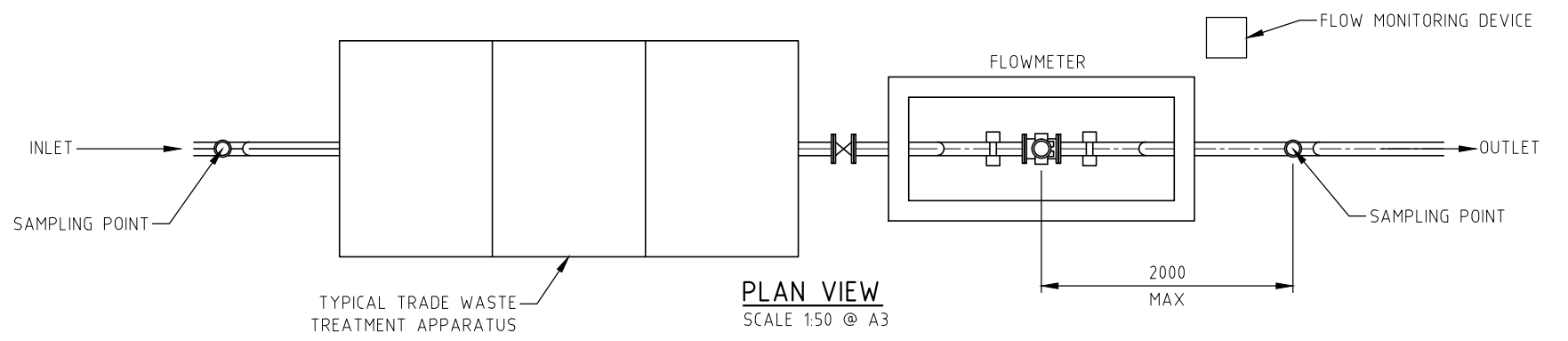


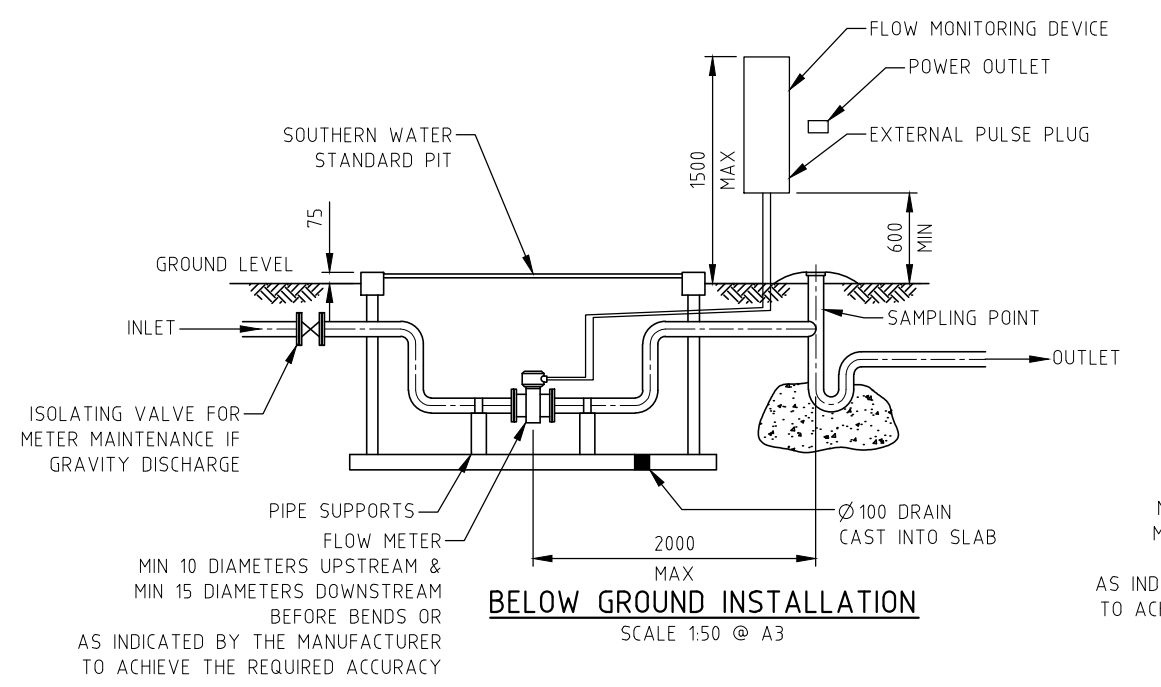
DO NOT SCALE



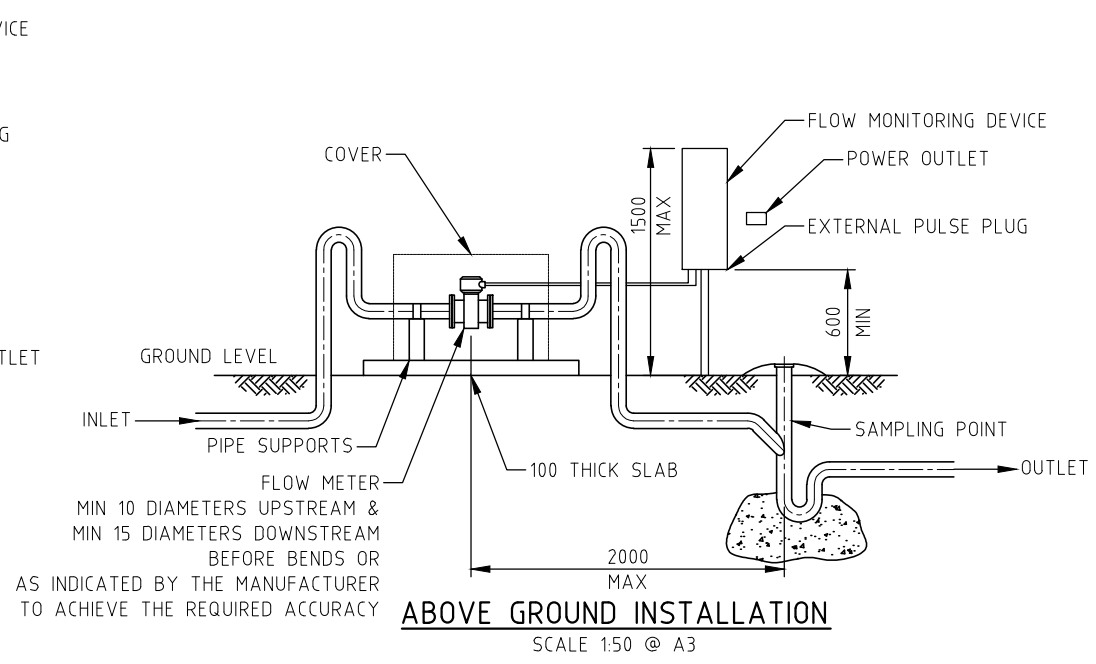
PLAN VIEW
SCALE 1:50 @ A3

GUIDELINES

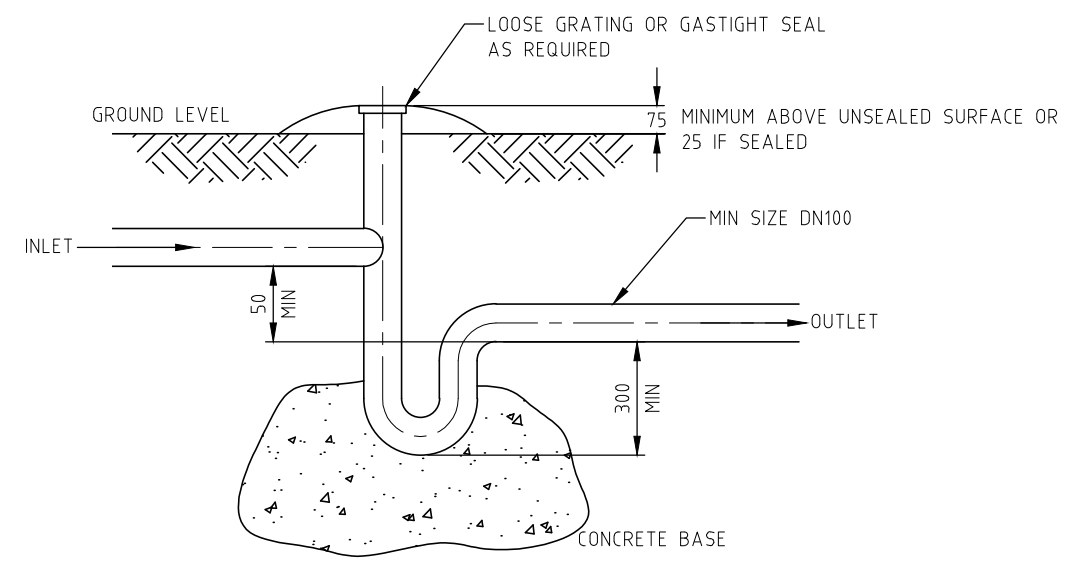
1. THE TRADE WASTE SAMPLING POINT SHALL BE POSITIONED AT ANY POSITION AS DIRECTED BY A WASTEWATER SOURCE MANAGEMENT OFFICER.
2. TRADE WASTE SAMPLING POINT TO BE WITHIN 2000 MAX FLOWMETER, IMMEDIATELY DOWN STREAM OF ANY PRE-TREATMENT FIXTURE.
3. UNLESS OTHERWISE APPROVED, ONLY ONE TRADE WASTE SAMPLE POINT TO BE PROVIDED FOR EACH BUSINESS
4. SAMPLING POINTS ARE TO BE PURPOSE MADE TO PROVIDE A MINIMUM DEPTH OF WATER OF 300mm.
5. MINIMUM SIZE OF SAMPLING POINT SHALL BE DN100
6. SAMPLE POINTS SHALL NOT BE USED AS A RELIEF DISCONNECTOR GULLY
7. MINIMUM OF 50mm VERTICAL DIFFERENCE BETWEEN INLET INVERT LEVEL TO TOP OF WATER SEAL.
8. ALL MEASUREMENTS SHOWN ARE IN MILLIMETERS.
9. ALL ASSOCIATED PLUMBING WORK IS TO COMPLY WITH WATER SERVICES LICENSING (PLUMBERS LICENSING AND PLUMBING STANDARDS) REGULATIONS 2000, AS/NZS 3500.1:2003 AND AS/NZS 3500.2:2003



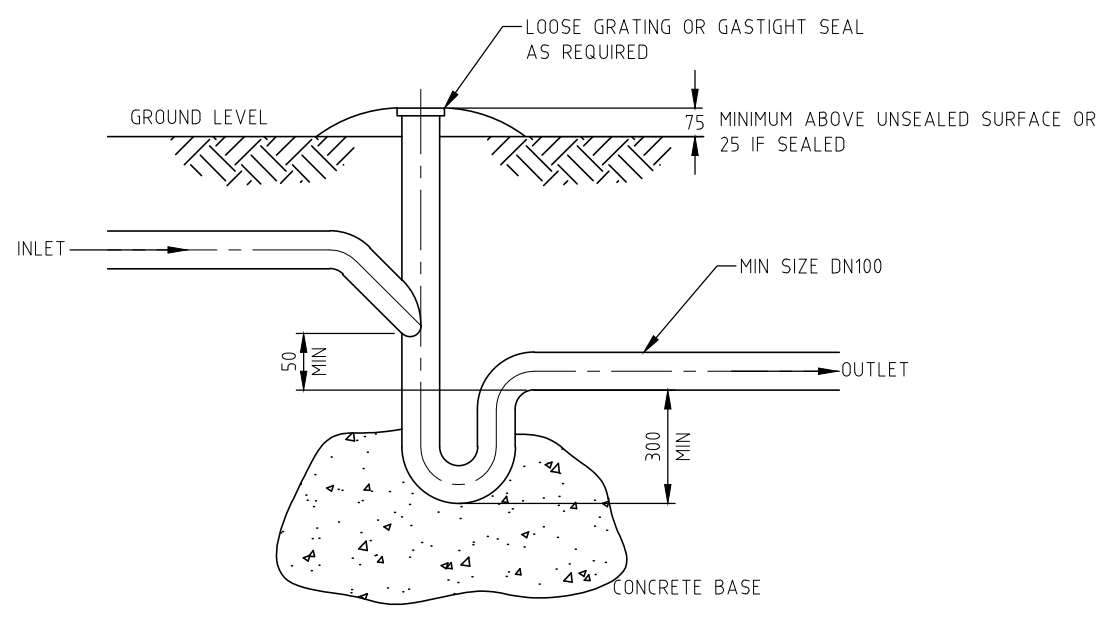
BELOW GROUND INSTALLATION
SCALE 1:50 @ A3



ABOVE GROUND INSTALLATION
SCALE 1:50 @ A3



TRADE WASTE SAMPLING POINT - GRAVITY DISCHARGE
SCALE 1:20 @ A3



TRADE WASTE SAMPLING POINT - PUMPED DISCHARGE
SCALE 1:20 @ A3

REVISIONS			REVIEW	NAME	SIGNATURE	DATE
	No.	DATE	DESCRIPTION	APP'D		
0	17/2/2011	NOTES FOR FLOW METER UPDATED	JTK			11/02/2010

FINAL

SOUTHERN TASMANIA WATER AND SEWAGE CORPORATION
2-4 Negara Crescent, Goodwood 7010
Ph. 03 6233 6533 Fax. 03 6273 9205 www.southernwatertas.com.au
© Southern Water 2009. This document is and shall remain the property of Southern Water. Unauthorised use of this document in any form whatsoever is prohibited.

DRAWING TITLE			
SOUTHERN WATER STANDARD DRAWING			
TRADE WASTE INSTALLATIONS			
FLOW METER & SAMPLING POINT DETAILS			
SCALE AT A3 AS SHOWN	DRAWING No. SW-SD-S-10	SHEET No. C01	REV. 0